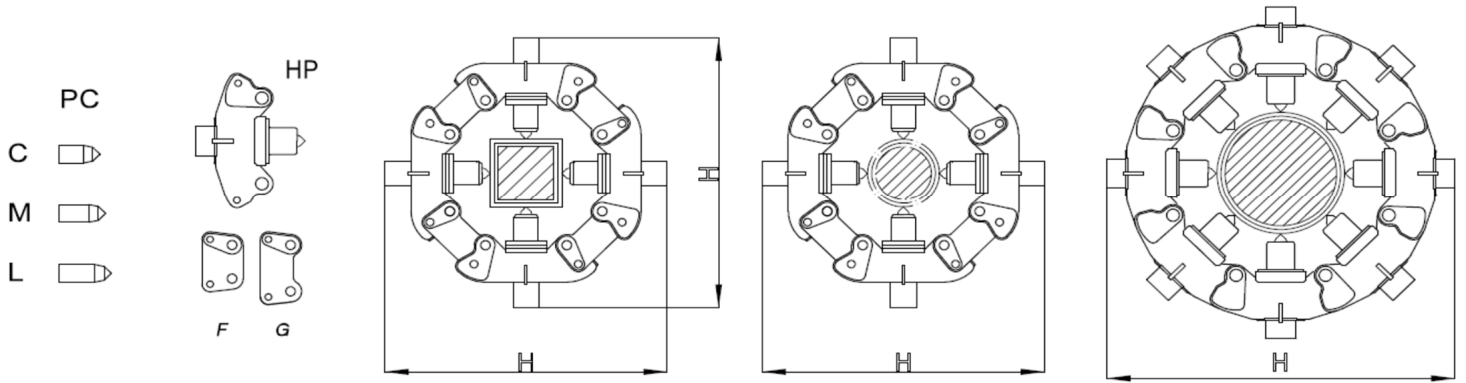


PILE BREAKERS piles
Heavy series



Technical bulletin

Square / Round piles

Diameter / Side pile of breaker [mm]		0-500	500-550	550-600	650-700	700-750	750-800
10 mm							
Excavator weight	[t]	16-20			16-20		
Number of elements	-----	4HP + 4F	4HP + 4F	4HP + 4F	4HP + 4G	4HP + 4G	4HP + 4G
Type of tips	-----	L	M	C	L	M	C
Tool weight	[kg]	1600			1600		
Hydraulic working pressure	[bar]	320 - 350			320 - 350		
Oil flow	[l/min]	100			100		
Time of closing at max oil flow	[s]	10,8			10,8		
Time of opening at max oil flow	[s]	6			6		
N° of cycles for minute at max oil flow	[cycles/min]	3,6			3,6		
Hyd.ports size	-----	1" GAS			1" GAS		
Overall dimensions	H [mm]	2300			2480		

N.B.: The tips are available in 3 lengths above mentioned: short (C) – medium (M) – long (L).

N.B.: The noted performance have been achieved by the maximum pression and capacity values.

N.B.: Characteristics and specifics of product could be varied without obligation of notice.



Round piles

Diameter pile of breaker [mm] 10 mm		750 800	850	900	900 950	1000	1050	1100 1150	1200	1250	1250 1300	1350	1400	1450	1500	1550 1600	1650 1700	1750	1800
Excavator weight	[t]	20 - 25			20 - 25			25 - 30			25 - 30			30 - 35			30 - 35		
Number of elements	-----	8 HP	8 HP	8 HP	9 HP	9 HP	9 HP	10 HP	10 HP	10 HP	11 HP	11HP	11 HP	12 HP	12 HP	12 HP	13 HP	13 HP	13 HP
Type of tips	-----	L	M	C	L	M	C	L	M	C	L	M	C	L	M	C	L	M	C
Tool weight	[kg]	2400			2700			3000			3300			3600			3900		
Hydraulic working pressure	[bar]	320 - 350			320 - 350			320 - 350			320 - 350			320 - 350			320 - 350		
Oil flow	[l/min]	200			225			250			275			300			325		
Time of closing at max oil flow	[s]	10,8			10,8			10,8			10,8			10,8			10,8		
Time of opening at max oil flow	[s]	6			6			6			6			6			6		
N° of cycles for minute at max oil flow	[cycles/min]	3,6			3,6			3,6			3,6			3,6			3,6		
Hyd.ports size	-----	1"GAS			1"GAS			1"GAS			1"GAS			1"GAS			1"GAS		
Overall dimensions	H [mm]	2500			2700			2900			3050			3250			3420		

N.B.: The tips are available in 3 lengths above men tioned: short (C) – medium (M) – long (L).
 N.B.: The noted performance have been achieved by the maximum pression and capacity values.
 N.B.: Characteristics and specifics of product coul d be varied without obligation of notice.



+55 15 97404-5519
 +55 15 3225-4466

www.machbert.com.br